

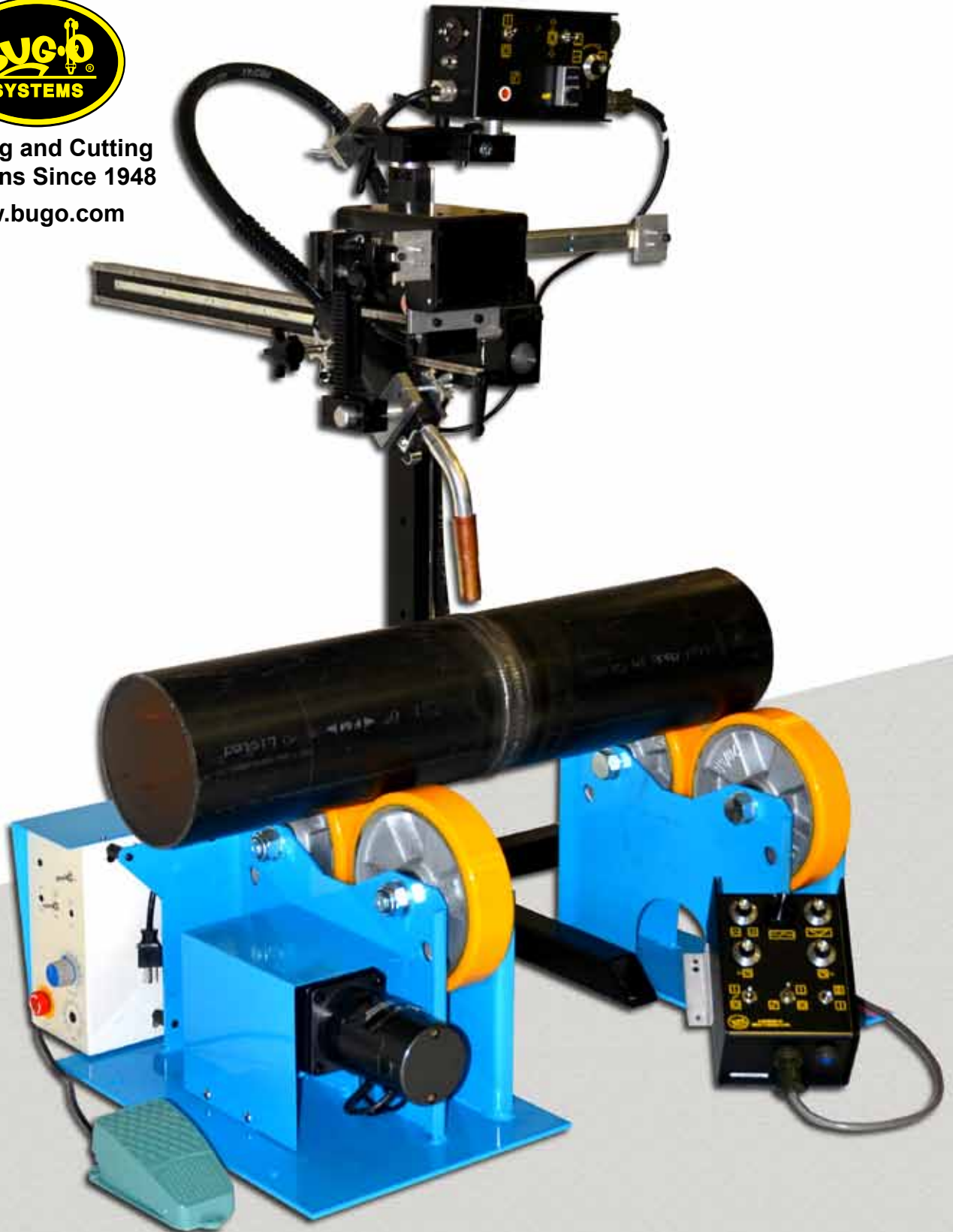
Fixtures & Positioning Equipment from Bug-O Systems

Bug-O Systems is guided by honesty, integrity and ethics in service to our customers and in all we do.



Welding and Cutting
Solutions Since 1948

www.bugo.com

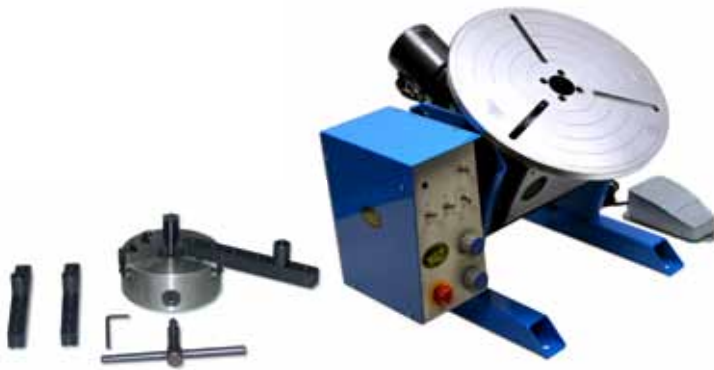




Positioning Equipment

Welding Positioners

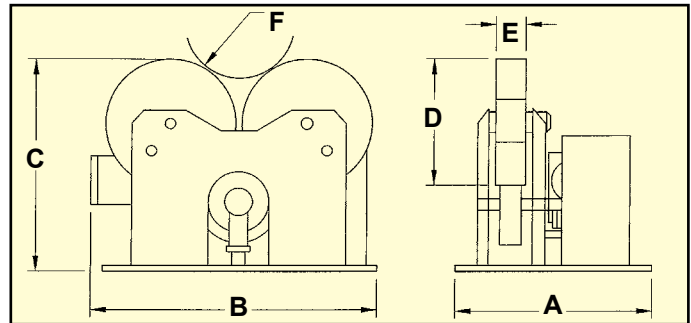
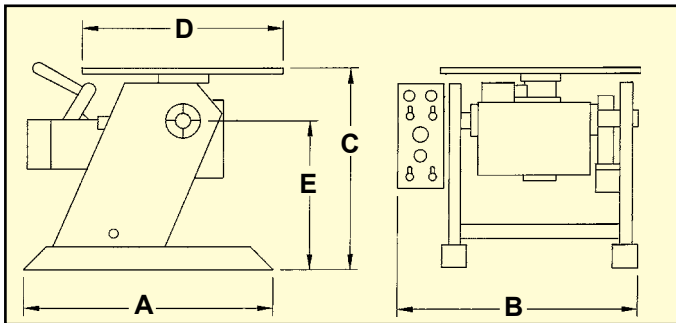
- DC Drive protected against high frequency.
- Turn Table tilts from 0-120°.
- Spindle has 1.38" through hole for pipe work or gas purge.
- 8 slot turntable provides quick mounting for holding fixture.
- Timer controlled weld period.
- Includes foot pedal.



BPG-450L Chuck sold separately.
Chuck capacity 1/4"-17 1/2" (4 mm-450 mm)

Turning Roll Assembly

- DC Drive protected against high frequency.
- Remote foot switch run/stop controller.
- Forward/stop/reverse switch with potentiometer for stepless speed adjustment.



Item	Part #		Part #
	BPT-100A BPT-100B	BPT-200A BPT-200B	
Power Input	1 Phase 110V 60 Hz		1 Phase 220V
Capacity (lb) (Horiz./Vert)	220/165	440/330	990/660
Rated Center of Gravity	4		2 (Max)
Rated Eccentricity (in)	4		6 (Max)
Table Dimension D (in)	12-5/8		17-11/16
Rotation Speed (rpm)	A: 1~15/B: 0~4		0.12-2.5
Spindle Thru Hole (in)	1/1/2		1
Table Slot Bolt Size (in)	3/8		1/2
Earthing (amp)	300		300
Rotation Motor (hp)	1/20	1/12	1/6
Tilt Range (degree)	0-120		0-135
Welding Timer (second)	0-60		0-60
Overall Length A (in)	16-1/4		25
Overall Width B (in)	16-1/4		24
Overall Height C (in)	13-3/8		25
Center to Floor E (in)	10		21-1/4
Weight (lb/kg)	A: 82/37 B: 88/40		280/127

Item	Part #	
	BTR-0100	BTR-3504
Power Input	1 Phase 110V 60 Hz	1 Phase 220V 60 Hz
Turning Capacity (lb)	2200	7700
Load Capacity (lb)		
(Drive & Idler)	2200	7700
Diameter Range, F (in)	1~31-3/8	3/8~55
Speed Range (in/min)	3-1/8~63	3~47
Rotation Motor (hp)	1/12	1/2
Roller Dia., D (in)	8	8
Roller Width, E (in)	2	4
Overall Length, A (in)		
(Drive/Idler)	12-5/8 / 6-5/16	17/11
Overall Width, B (in)		
(Drive Idler)	18-1/2	31-1/2/28
Overall Height, C (in)	13-5/16	20
Net Weight (lb)		
(Drive/Idler)	81.5/37.5	242.3/121



Positioning Equipment

Torch Supports

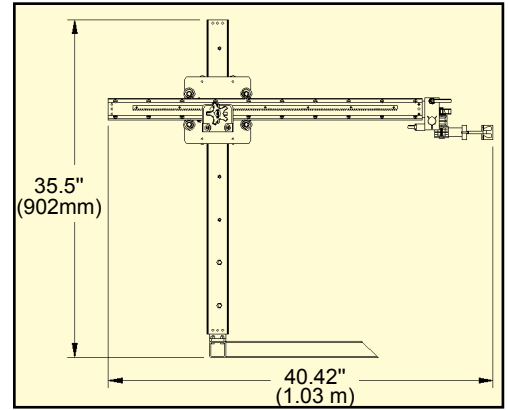
Freestanding Torch Support FTS-1020



FTS-1020 shown above.

The **Freestanding Torch Support FTS-1020** is a small manually operated torch manipulator. Rack and pinion movement on hardened "V" ways provides effortless and smooth positioning of cutting torch or welding gun. The "T" base comes with pre-drilled holes for quick installation into your fixture.

Total Vertical Adjustment: 25" (635 mm)
Total Horizontal Adjustment: 25" (635 mm)



Net Weight: 35 lbs. (11.34 kg)

Freestanding Torch Support

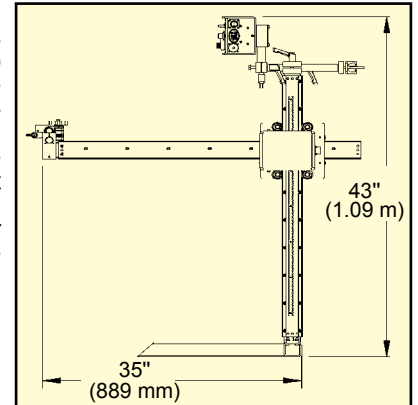
FTS-1025 110 volt FTS-1025-240 240 volt



Application of FTS-1025 Automatic Height Control with Linear Weaver shown above.

The **NEW FTS-1025 Free Standing Torch Support with Automatic Height Control** is a compact, easy to use system, designed to maintain a constant torch-to-work distance automatically. This system can be used for Sub-Arc, Innershield and MIG welding. The actual weld current is sensed continuously using a shunt. The signal is filtered, amplified and compared to a set point value. Any error from the set point is noticed by the controller and it will raise the torch up or down to maintain precise torch to work distance automatically.

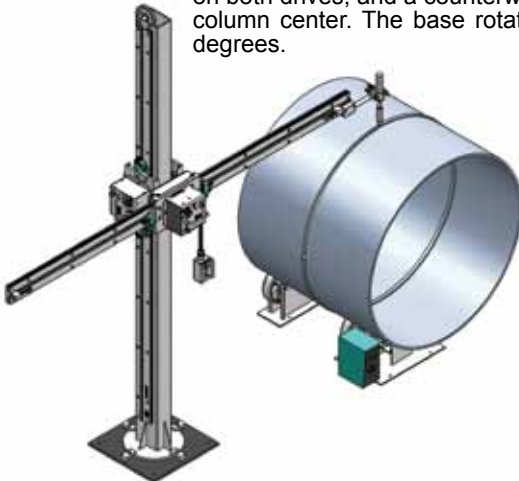
Total Vertical Adjustment: 25" (635 mm)
Total Horizontal Adjustment: 25" (635 mm)



Net Weight: 41 lbs. (19 kg)

Mini-Minipulator BUG-1965

The **MINI-MINIPULATOR II** includes solid state variable speed, vertical and horizontal DC drives, pendant control of "up-off-down" and "forward-off-reverse," limit switches on both drives, and a counterweight in column center. The base rotates 360 degrees.



TECHNICAL DATA:

Specifications:

Power Requirement:

BUG-1965 120 VAC/50-60/1
BUG-1966 220 VAC/50-60/1
BUG-1967 42 VAC/50-60/1

Vertical Travel: 65" (1651 mm)

Minimum Height: 21-1/2" (546 mm)
From Centerline of Horizontal Rail to Mounting Surface (Floor)

Maximum Height: 86-1/2" (2197 mm)

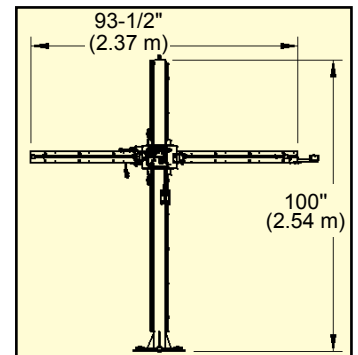
Horizontal Travel: 64" (1626 mm)
Measured from Centerline of Column to End of Horizontal Rail

Load Capacity: 20 lbs. (10kg)

Net Weight: 420 lbs. (191 kg)

Shipping Weight: 500 lbs. (227 kg)

Dimensions: 93-1/2"L x 15"W x 100"H
(2375 mm x 380 mm x 2540 mm)





Positioning Equipment - Weavers

The Stand Alone Weavers are compact lightweight oscillating weld weavers designed to be mounted on Manipulators and Fixtures. They offer the ability to perform weave welds or straight-line stringer welds and can be used to steer the torch during welding operations. They also feature adjustable independent dwell settings for controlled penetration and undercut elimination.



CDS-6350
Stand Alone Linear Weaver



BUG-6350
Stand Alone Pendulum Weaver

TECHNICAL DATA:

Specifications:

Power Requirement:

CDS-6350 120 VAC/50-60 Hz
CDS-6352 240 VAC/50-60 Hz
CDS-6354 42 VAC/50-60/1

Weave Speed: 4-100 ipm (102-2540 mm/min)

Dwell: 0-3 seconds each side

Weave Width: 0-2" (0-50 mm)

Steering: 4" - 2" (100-50 mm)
each side of center

Net Weight: 17 lbs. (7.7 kg)

Weaver Dimensions: 6.75"L x 5.00"W x 3.88"H
(171 x 127 x 99 mm)

TECHNICAL DATA:

Specifications:

Power Requirement:

BUG-6350 120 VAC/50-60 Hz
BUG-6352 240 VAC/50-60 Hz
BUG-6354 42 VAC/50-60/1

Weave Speed: 4-200 ipm (102-5100 mm/min)

Dwell: 0-3 seconds each side

Weave Width: 0-2" (0-50 mm)

Steering: 4" - 2" (100-50 mm)
each side of center

Net Weight of System: 21 lbs. (9.5 kg)

Weaver Dimensions: 5.50"L x 3.00"W x 4.00"H
(139 x 76 x 120 mm)

